


PAT.NO.:				
PRODUITS DE SERVICE PUBLICS INNOVA INC. INNOVA PUBLIC UTILITY PRODUCTS INC.				
<small>© 9105-0732 QUEBEC INC. and under exclusive license to INNOVA PUBLIC UTILITY PRODUCTS INC., (hereafter « INNOVA »). All rights reserved. Protected under the Copyright Act of Canada and international treaties and agreements regarding copyrights. Violators are subject to prosecution and other legal recourses for infringement. Any reproduction, adaptation or other use or disclosure whatsoever, in totality or in part, and in any form or by any means whatsoever, strictly forbidden and requires the prior written approval of INNOVA. All data is the exclusive property of 9105-0732 QUEBEC INC. and under exclusive license to INNOVA and cannot be used nor disclosed in any way either without the prior written approval of INNOVA.</small>				
WEIGHT:	TITLE:			
135 Lb	Floor adapter for XLT systeme			
61 Kg	COLOR:	Material:	SHEET(S):	PROJET:
		Stainless Steel	1 / 4	IN-5040
			Rev.	02

**IN-5040 Base Installation Requirements**

**Recommendations:**

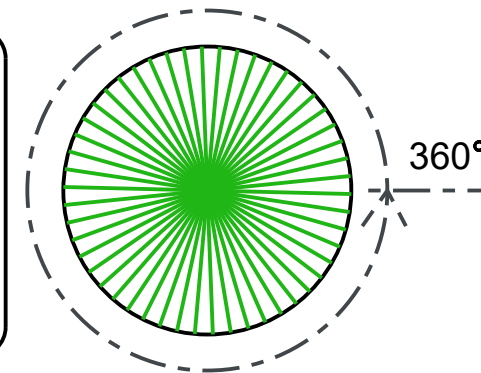
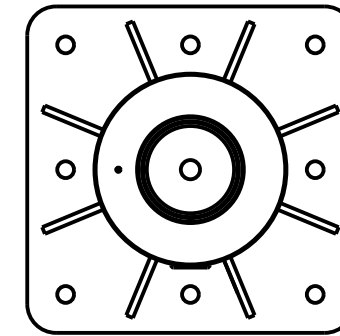
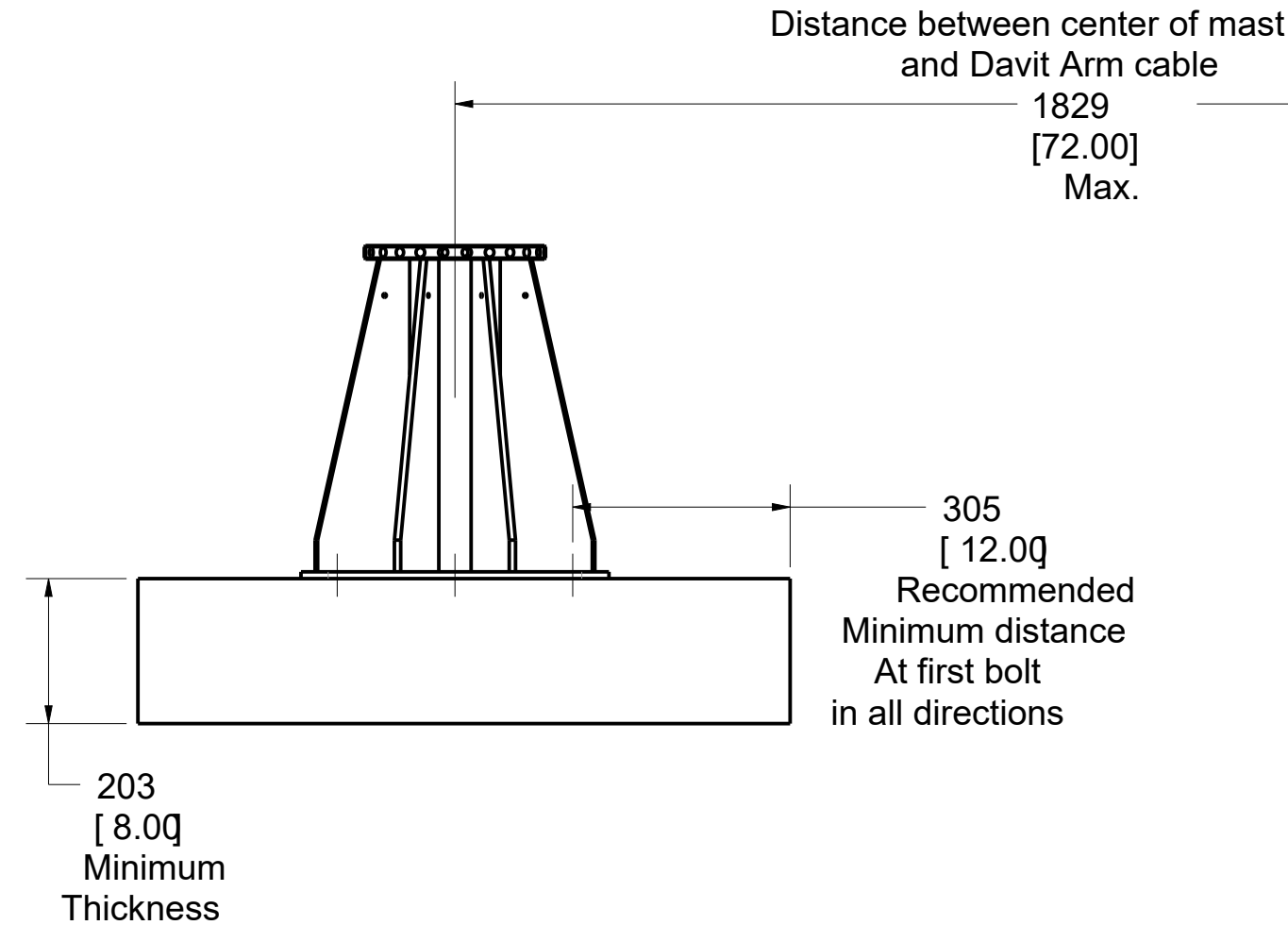
Non Cracked Concrete must be made of 0,2% gross area rebar reinforced 21 MPa (3000psi) or better. Minimum thickness of 203mm (8").


Moment capacity: 32,838 N-m (290,642 lbf-in)  
Vertical load: 18 kN (4,037 lbf).  
Note: It is the responsibility of the field Engineer to assure installation compliance.

**Hardware:**

Anchor bolts: Chemical setting 3/4" x 6-1/4" effective holding length and made of 304/316 stainless steel  
Max pulling strength: 25.kN (5,607 lbf) per anchorage.  
To be installed with 3/4" Stainless Steel Nuts, one (1) lockwasher and two (2) washers per bolt.

**Full Thickness Installation**



PAT.NO.:				
PRODUITS DE SERVICE PUBLICS INNOVA INC. INNOVA PUBLIC UTILITY PRODUCTS INC.				
<small>© 9105-0732 QUEBEC INC. and under exclusive license to INNOVA PUBLIC UTILITY PRODUCTS INC., (hereafter « INNOVA »). All rights reserved. Protected under the Copyright Act of Canada and international treaties and agreements regarding copyrights. Violators are subject to prosecution and other legal recourses for infringement. Any reproduction, adaptation or other use or disclosure whatsoever, in totality or in part, and in any form or by any means whatsoever, strictly forbidden and requires the prior written approval of INNOVA. All data is the exclusive property of 9105-0732 QUEBEC INC. and under exclusive license to INNOVA and cannot be used nor disclosed in any way either without the prior written approval of INNOVA.</small>				
WEIGHT:	TITLE:			
135 Lb	Floor adapter for XLT systeme			
61 Kg				
COLOR:	Material:	SHEET(S):	PROJET:	Rev.
	Stainless Steel	2 / 4	IN-5040	02

SPECIFICATIONS

This equipment is considered as part of a personal fall arrest system (PFAS) with a maximum working capacity of 164 Kg (360 lb).

It is only to be used in conjunction with a personal fall arrest system that limits the maximum arrest force (MAF) to 6 kN (1,346 lbf).

Maximum Working Moment: 3,284 N-m (29,064 lbf-in)  
 Maximum Moment: 32,838 N-m (290,642 lbf-in)

STANDARDS

Meets the following standards:

- AS/NZS 5532:2013
- ANSI Z359.18.2017
- CSA Z259.15.2017
- OSHA 1926.502
- EN 795:2012 Type A

MATERIAL AND CONSTRUCTION

Plate, gussets and sleeve : 304 Stainless Steel  
 Sleeve bearing : PVC Pipe.  
 Welding Certification : CSA W59 & W47.1, AWS D1.6

RESTRICTIONS

**IMPORTANT :**

This adapter is to be used only with products approved by Innova Public Utility Products inc.

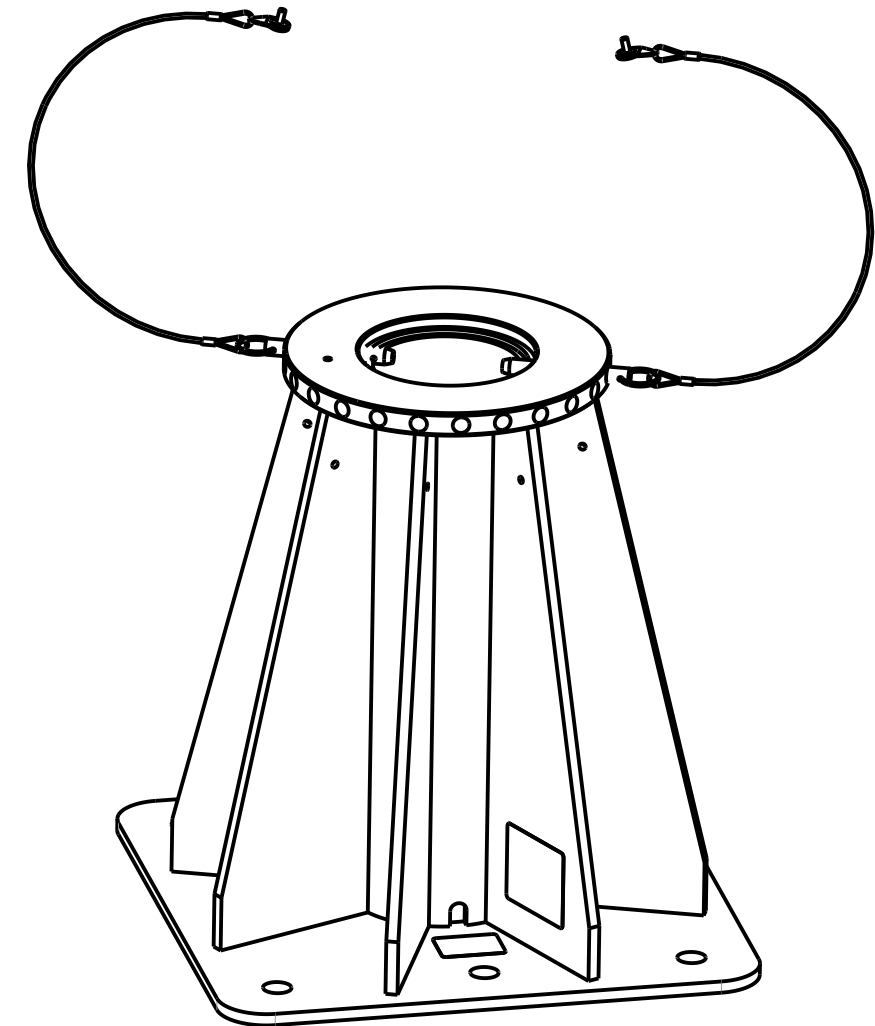
Anchor hardware must be installed by qualified and experienced personnel. The installer must follow the anchor hardware manufacturer's recommendations at all times.

**\*\*The positioning pins must always be in place when manoeuvring personnel. Otherwise, serious injuries may occur.**

Periodic inspections of hardware must be done by competent person. In the occurrence of a fall or the safety of the equipment is in doubt, equipment must be immediately removed from service and inspected by qualified personnel before reuse.

**\*\* This equipment must always be operated in a level position.**  
 This equipment must be inspected by the user before each use and a note must be entered in the log book.

Product number: **IN-5040**



PAT.NO.:				
PRODUITS DE SERVICE PUBLICS INNOVA INC. INNOVA PUBLIC UTILITY PRODUCTS INC.				
<small>© 9105-0732 QUEBEC INC. and under exclusive license to INNOVA PUBLIC UTILITY PRODUCTS INC., (hereafter « INNOVA »). All rights reserved. Protected under the Copyright Act of Canada and international treaties and agreements regarding copyrights. Violators are subject to prosecution and other legal recourses for infringement. Any reproduction, adaptation or other use or disclosure whatsoever, in totality or in part, and in any form or by any means whatsoever, strictly forbidden and requires the prior written approval of INNOVA. All data is the exclusive property of 9105-0732 QUEBEC INC. and under exclusive license to INNOVA and cannot be used nor disclosed in any way either without the prior written approval of INNOVA.</small>				
WEIGHT:	TITLE:			
135 Lb	Floor adapter for XLT systeme			
61 Kg				
COLOR:	Material:	SHEET(S):	PROJET:	Rev.
	Stainless Steel	3 / 4	IN-5040	02

8

7

6

5

4

3

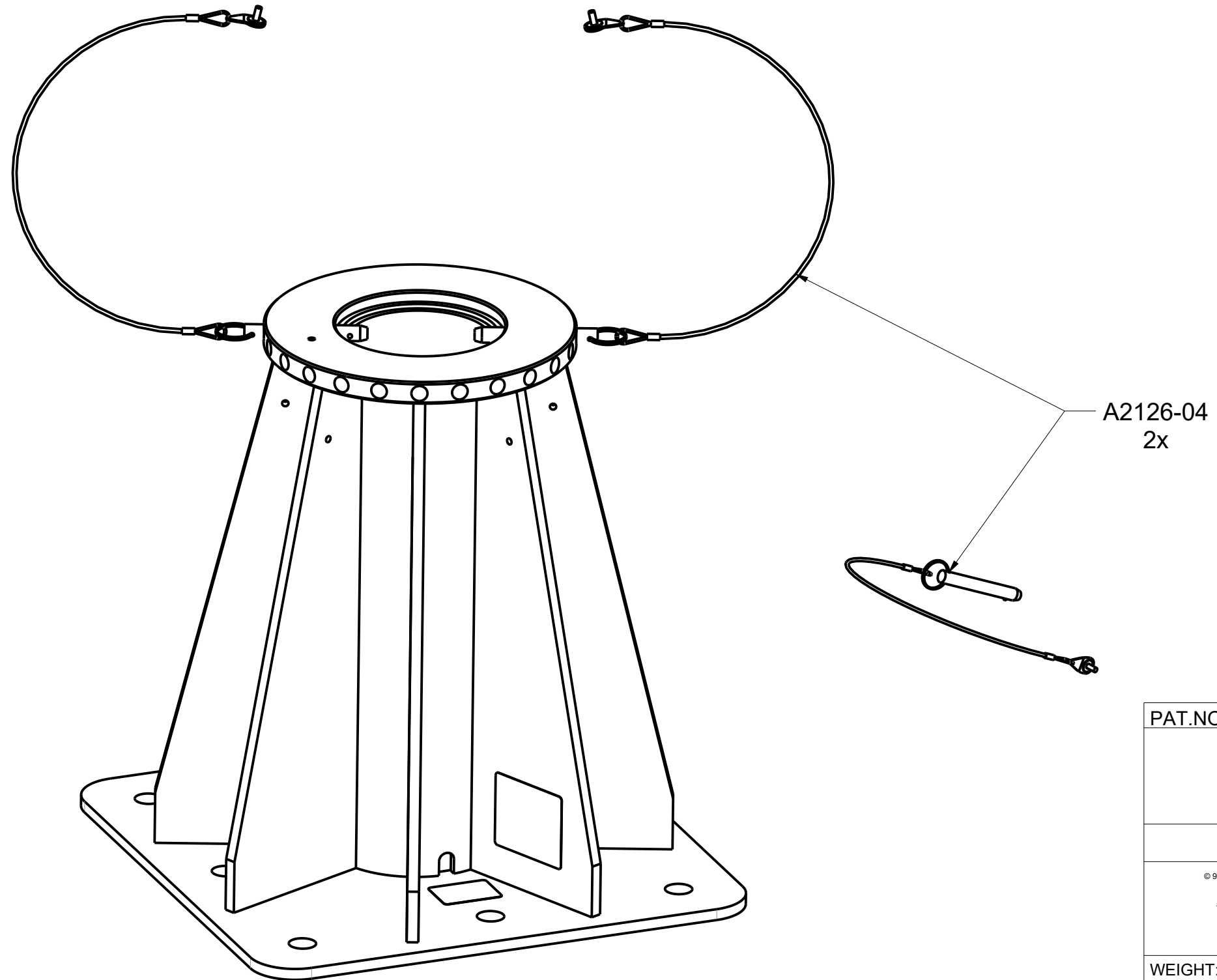
2

1

Product number: IN-5040

H  
G  
F  
E  
D  
C  
B  
A

H  
G  
F  
E  
D  
C  
B  
A



PAT.NO.:				
PRODUITS DE SERVICE PUBLICS INNOVA INC. INNOVA PUBLIC UTILITY PRODUCTS INC.				
<small>© 9105-0732 QUEBEC INC. and under exclusive license to INNOVA PUBLIC UTILITY PRODUCTS INC., (hereafter « INNOVA »). All rights reserved. Protected under the Copyright Act of Canada and international treaties and agreements regarding copyrights. Violators are subject to prosecution and other legal recourses for infringement. Any reproduction, adaptation or other use or disclosure whatsoever, in totality or in part, and in any form or by any means whatsoever, strictly forbidden and requires the prior written approval of INNOVA. All data is the exclusive property of 9105-0732 QUEBEC INC. and under exclusive license to INNOVA and cannot be used nor disclosed in any way either without the prior written approval of INNOVA.</small>				
WEIGHT:	TITLE:			
135 Lb	Floor adapter for XLT systeme			
61 Kg				
COLOR:	Material:	SHEET(S):	PROJET:	Rev.
	Stainless Steel	4 / 4	IN-5040	02

8

7

6

5

4

3

2

1